



FOR
JAGUAR S-TYPE A/C- (01/98 > 12/03)

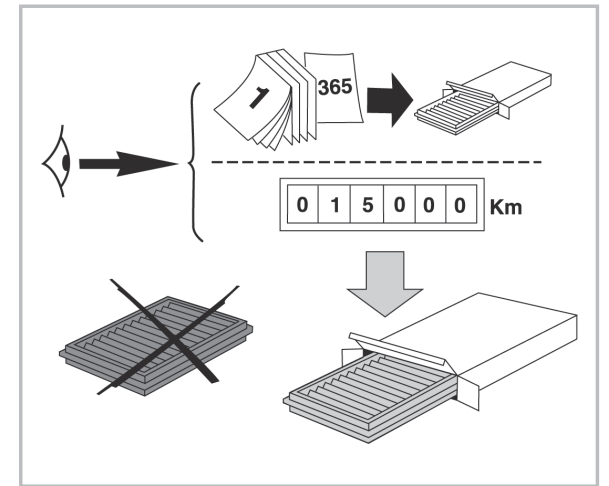
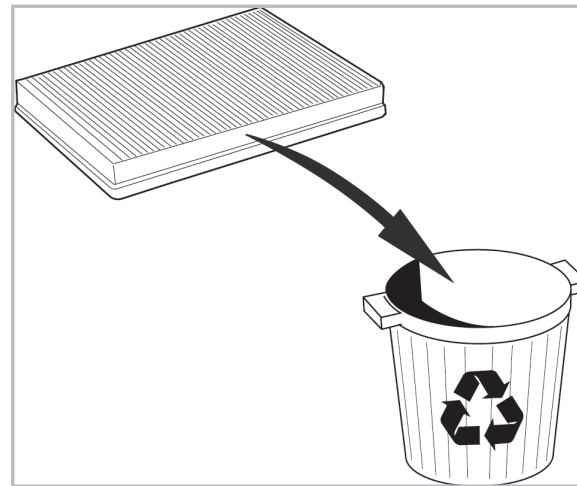
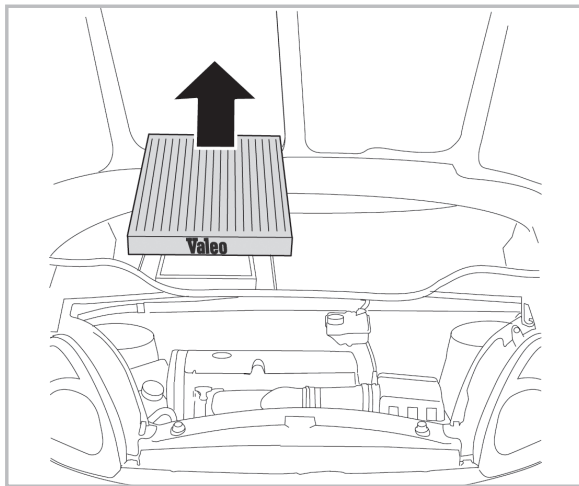
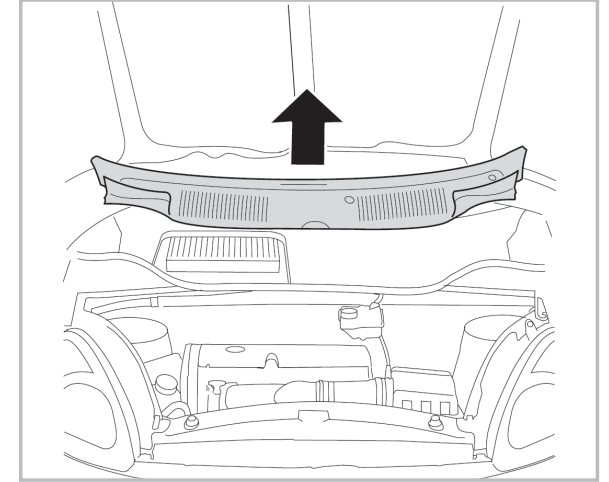
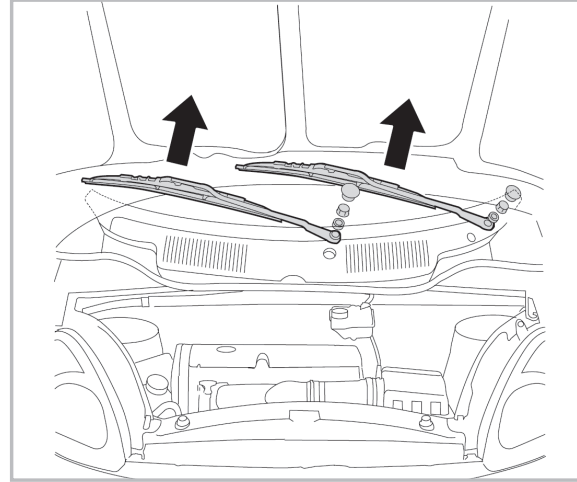
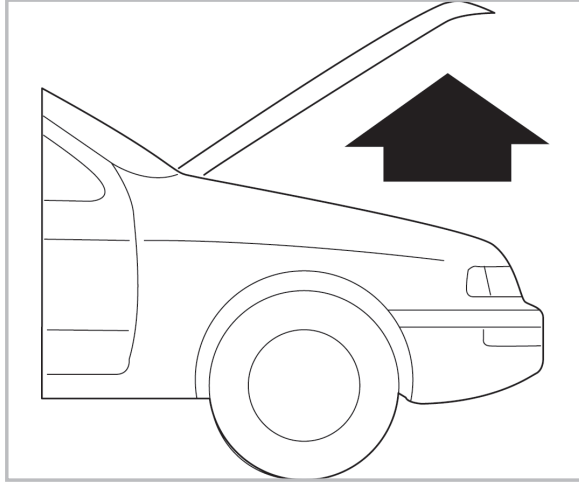
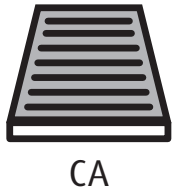


PROTECT

combined with
active carbon



715505
FH801



**WANT TO
KNOW MORE?**



www.valeo-techassist.com