



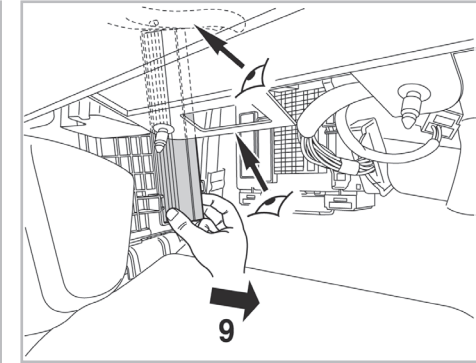
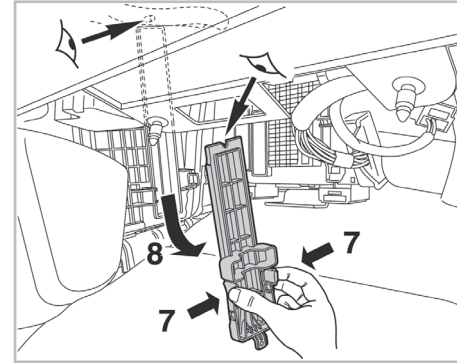
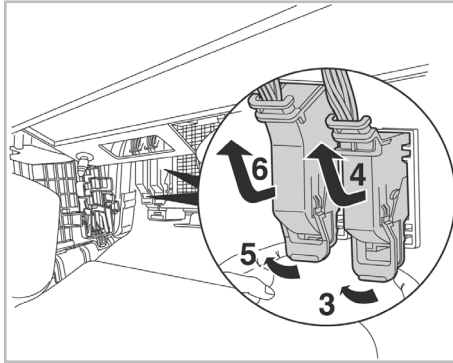
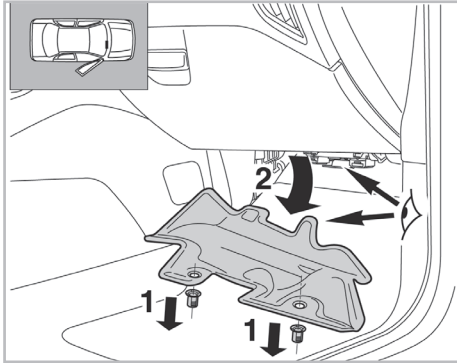
FOR
FORD

KUGA / FOCUS III A/C+/- (02/13 >)



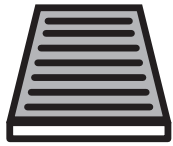
PROTECT

combined with
active carbon

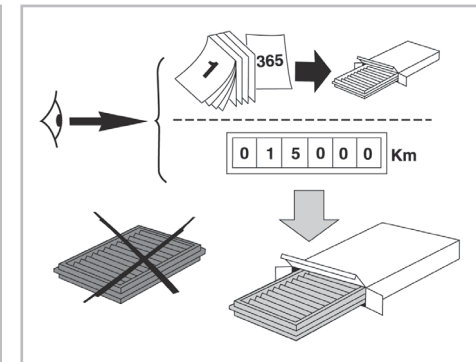
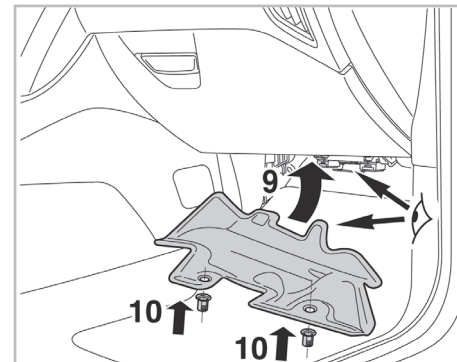
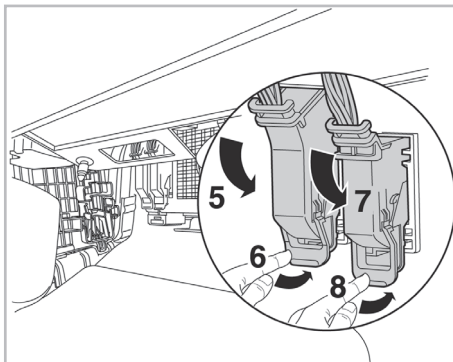
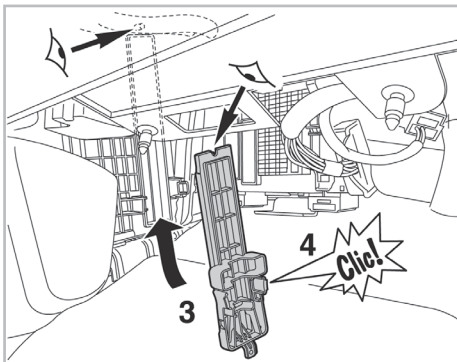
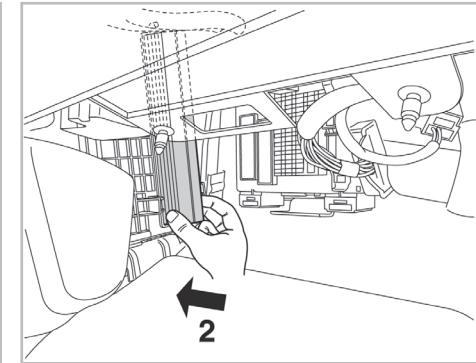
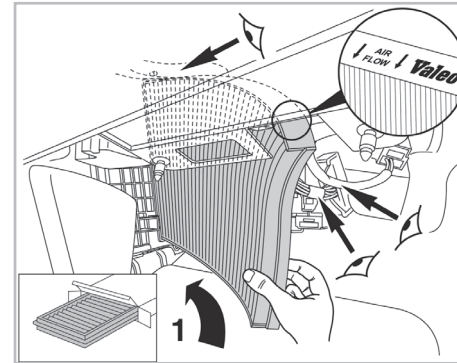
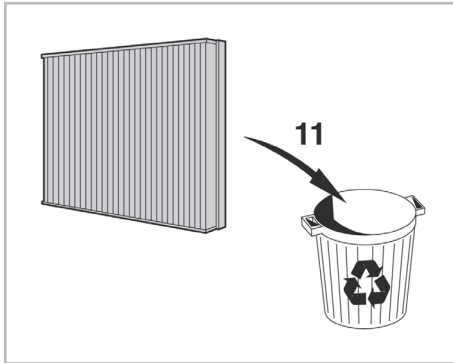
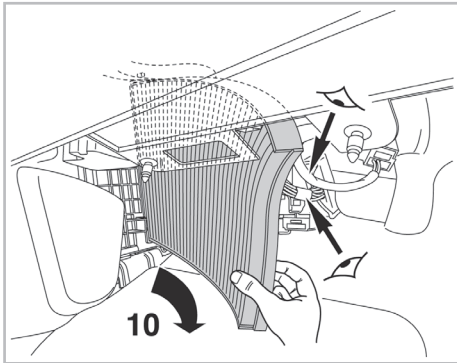


715757

FH452



CA



WANT TO
KNOW MORE?



www.valeo-techassist.com

Valeo Service - Société par Actions Simplifiée - Capital de 12 900 000 € - 70, rue Pleyel, 93285 Saint-Denis Cedex - France - B 306 486 408 RCS Bobigny