

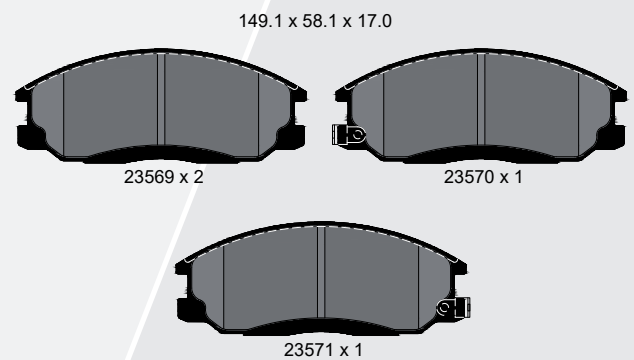
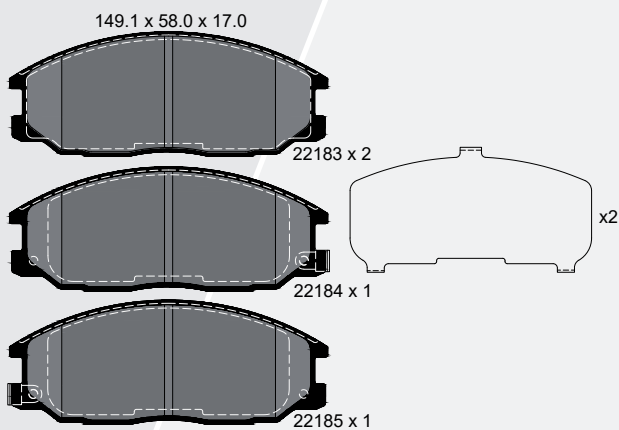
Replacement of 2218301 by 2356901

Textar is able to harmonize the references 2218301 and 2356901. It was proven that 2356901 can also cover the applications of 2218301. Therefore Textar will replace 2218301 with 2356901.

The main difference between them is the friction material shape. Therefore there will be no difficulties during installation and operation.

2218301

2356901



As usual, existing stock of 2218301 can be sold out without any problems.