

NEDERLAND
(THE NETHERLANDS)

EEC TYPE-APPROVAL CERTIFICATE

Communication concerning:

- type-approval
- ~~extension of type-approval~~
- ~~refusal of type-approval~~
- ~~withdrawal of type-approval~~

of a type of a component (towbar) with regard to Directive (94/20/EEC)

Type-approval number: e4*94/20*1613*00

Reason for extension:

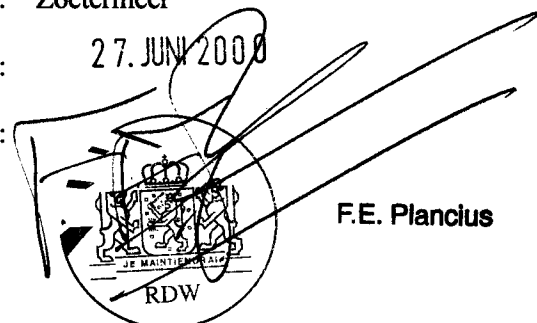
SECTION I

- | | | | |
|--------|---|---|--|
| 0.1. | Make (trade name of manufacturer) | : | Le Rapide |
| 0.2. | Type and general commercial description(s) | : | 026921 |
| 0.3. | Means of identification of type marked on the component | : | Approval number |
| 0.3.1. | Location of that marking | : | On type plate |
| 0.5. | Name and address of manufacturer | : | Bosal Le Rapide
Rue de Reims
F-51490 Beine Nauroy France |
| 0.7. | In the case of components and separate technical units, location and method of affixing of the EEC type approval mark | : | On type plate |
| 0.8. | Address(es) of assembly plant(s) | : | See information document
(annex III, item 0.8) |

Type-approval number: e4*94/20*1613*00

SECTION II

1. Additional information (where applicable) : See Appendix I
2. Technical service responsible for carrying out the tests : RDW
Testbaan|Centrum
Talingweg 76
8218 NX Lelystad
3. Date of test report : 06-06-2000
4. Number of test report : RDW-94/20-1302
5. Remarks (if any) : See Appendix I
6. Place : Zoetermeer
7. Date : 27 JUN 2000
8. Signature :



F.E. Plancius

9. The index to the information package lodged with the competent authority that has granted type-approval, which may be obtained on request, is attached.
- Application form relating to annex III and annexed drawings
 - Drawings and instructions for attachment
 - Fitting instructions
 - Test report as mentioned in item 4.



Appendix I
to EEC type-approval certificate No : e4*94/20*1613*00
concerning the components type-approval of mechanical coupling devices with regard to
Directive 94/20/EEC

1. Additional information
- 1.1. Class of the type of coupling : A50-X
- 1.2. Categories or types of vehicles for which the device is designed or restricted : See fitting instructions
- 1.3. Maximum D-value : 9,32 kN
- 1.4. Maximum vertical load S at the coupling point : 75 kg
- 1.5. Maximum load U at the fifth wheel coupling point : ----- ton
- 1.6. Maximum V-value : ----- kN
- 1.7. Instructions for attachment of the coupling type to the vehicle and photographs or drawings of the fitting points at the vehicle give by the manufacturer; additional information if the use of the coupling type is restricted to special types of vehicles : See fitting instructions
- 1.8. Information on the fitting of special towing brackets or mounting plates : See fitting instructions
5. Remarks: The installation of the coupling device to the vehicle must be checked according to requirements of Annex VII, see Annex I, par.5.10.

